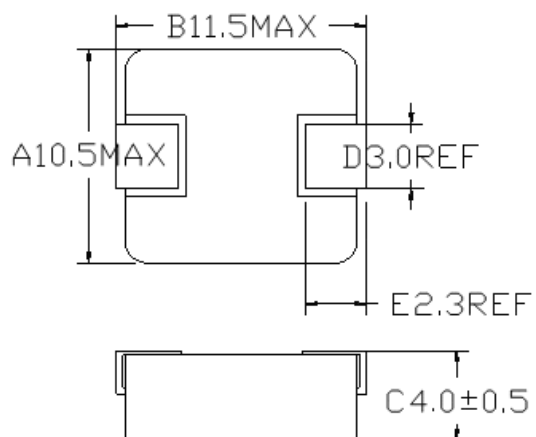


GSM1004-SERIES

SIMENSLONS & RECOMMENDED PATTERN



SELECTION GUIDE FOR STANDARD COILS.

| P/N | L0 Inductance (μ H) $\pm 20\%$ @0A | DCR ($m\Omega$) | Heat Rating Current | Saturation Current |
|-------------|--------------------------------------------------|-------------------|---------------------------------------------|-----------------------|
| | | [Max] | Idc (Amp) ($\Delta T \leq 40^\circ C$) | Isat (Amp) (80%) |
| | | | Typical | Typical |
| GSM1004-R22 | 0.22 | 1.0 | 38 | 60 |
| GSM1004-R36 | 0.36 | 1.2 | 30 | 60 |
| GSM1004-R47 | 0.47 | 1.8 | 27 | 45 |
| GSM1004-R56 | 0.56 | 2.2 | 26 | 45 |
| GSM1004-R68 | 0.68 | 2.7 | 23 | 40 |
| GSM1004-R80 | 0.80 | 3.0 | 23 | 40 |
| GSM1004-1R0 | 1.0 | 3.6 | 20 | 38 |
| GSM1004-1R5 | 1.5 | 5.5 | 15 | 35 |
| GSM1004-2R2 | 2.2 | 7.0 | 12 | 27 |
| GSM1004-3R3 | 3.3 | 10.0 | 11 | 16 |
| GSM1004-4R7 | 4.7 | 16.0 | 10 | 13.5 |
| GSM1004-100 | 10.0 | 40.0 | 6.8 | 13 |